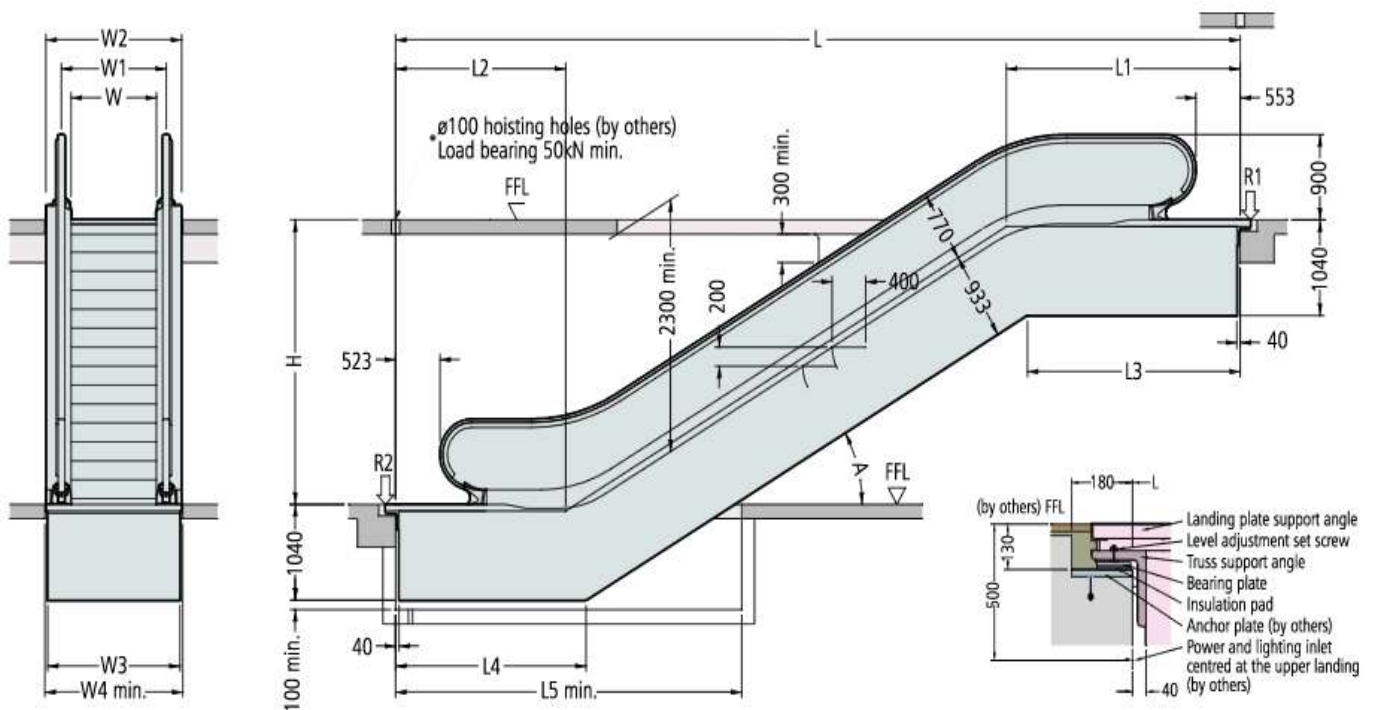


TravelMaster Basic Data	
Inclination	30° or 35°
Level Steps	2/2 or 3/3
Maximum vertical rise	Up to 9.5m
Step width	600mm, 800mm, 1000mm
Balustrade	Clear tempered glass
Balustrade height	900mm, 1000mm or 1100mm
Speed	0.5m/s
Electrication	EN115

Dimension Unit (mm)			
Step type	S1000	S800	S600
W1: Width of step	1000	800	600
W2: Handrail centre distance	1262	1064	866
W3: Hoisting holes distance	1360	1160	960
W4: Width of truss	1510	1310	1110
W5: Width of escalator	1547	1347	1147
W6: Width of pit	1650	1450	1250



TYPE	STEP WIDTH	AA	BB	CC	DD	EE	FF	GG	HH
30-2	1000/800	2215	2500	1.7321H	667	667	4285	780	1000
	600	2215	3000	1.7321H	667	1167	4285	780	1000
35-2	1000/800	2250	2560	1.4281H	667	667	4080	737	1000
	600	2250	3060	1.4281H	667	1167	4080	737	1000
30-3	1000/800	2615	3034	1.7321H	667	667	4285	780	1300
	600	2615	3534	1.7321H	667	1167	4285	780	1300
35-3	1000/800	2650	2960	1.4281H	667	667	4080	737	1000
	600	2650	3460	1.4281H	667	1167	4080	737	1000